

# ***Power LED***

## ***TECHNICAL DATA***

*W11491, W11492*

*N11491, N11492*

*B11491, B11492*

*G11491, G11492*

*R11491, R11492*

*C11491, C11492*

*A11491, A11492*



**SEOUL SEMICONDUCTOR CO., LTD.**

148-29, Kasan-Dong, Keumchun-Gu, Seoul, Korea

TEL : 82-2-3281-6269 FAX : 82-2-857-5430

Rev07 – 2006/05

# ***SPECIFICATIONS***

---

## **- Features**

- Super high flux output and high luminance
- Designed for high current operation
- Low thermal resistance
- RoHS Compliant

## **- Applications**

- General Illumination
  - Outdoor & Indoor architectural lighting
  - Decorative lighting
  - Torch lighting
  - Portable lighting (Flash and lamp) and Reading lighting
  - Traffic signaling

## **- Description**

Z-Power series is designed for high current operation and high flux output applications.

Z-Power LED's thermal management perform exceeds other power LED solutions.

It incorporates state of the art SMD design and Thermal emission material.

Z Power LED is ideal light sources for general illumination applications, custom designed solutions, automotive large LCD backlights.



**SEOUL SEMICONDUCTOR CO., LTD.**

148-29, Kasan-Dong, Keumchun-Gu, Seoul, Korea

TEL : 82-2-3281-6269 FAX : 82-2-857-5430

Rev07 – 2006/05

## Full Code explanation of Z-Power LED series

Full code form :  $X_1 X_2 X_3 X_4 X_5 X_6 - X_7 X_8 - X_9 X_{10} X_{11} X_{12} X_{13}$

### 1. Part number

- $X_1$  : Color
- $X_2$  : Z-Power LED series number
- $X_3$  : LENS type
- $X_4$  : Chip Quantity
- $X_5$  : Package outline size
- $X_6$  : Type of PCB

### 2. Internal Number

- $X_7$
- $X_8$

### 3. Code Labeling

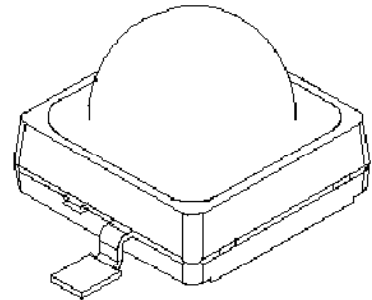
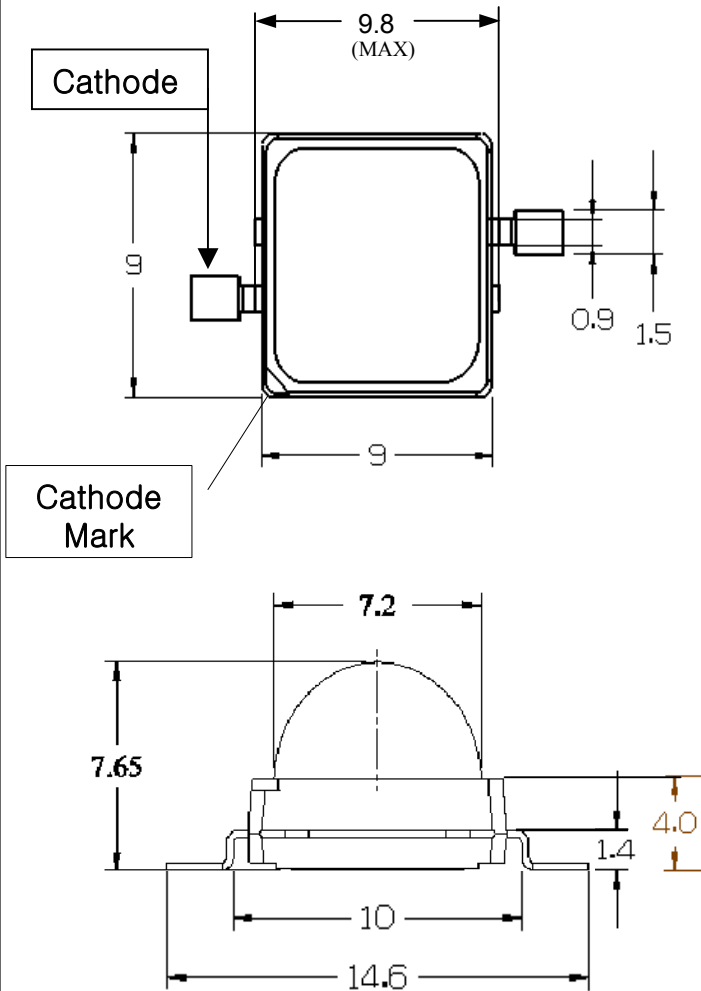
- $X_9$  : Luminous Flux (or Radiant Flux for Royal)
- $X_{10} X_{11} X_{12}$  : Dominant Wavelength (or x,y coordinates rank code)
- $X_{13}$  : Forward Voltage

**For more information about binning and labeling, refer to the Application Note -1**

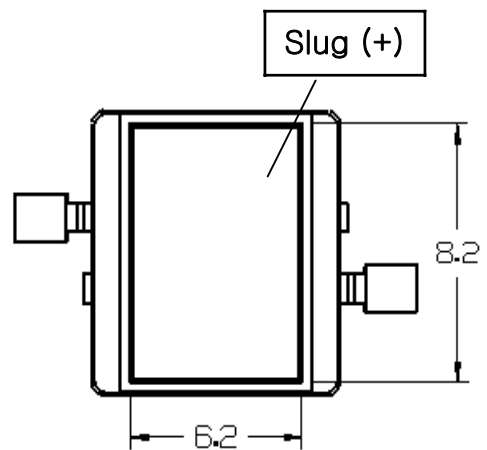


**SEOUL SEMICONDUCTOR CO., LTD.**  
148-29, Kasan-Dong, Keumchun-Gu, Seoul, Korea  
TEL : 82-2-3281-6269 FAX : 82-2-857-5430  
Rev07 – 2006/05

## 1. Outline Dimensions



Isometric view  
Scale: None



Rear view

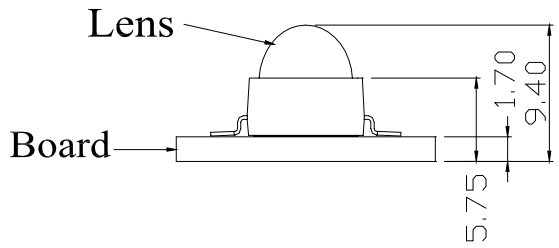
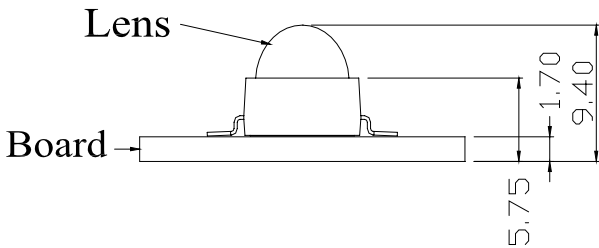
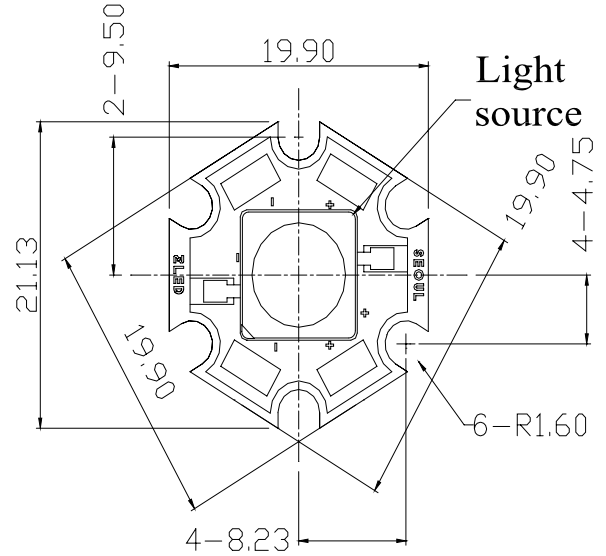
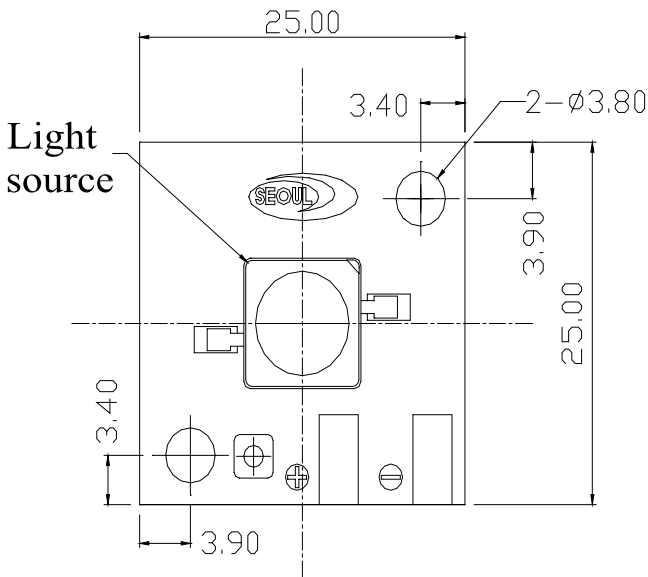
- Notes :
1. All dimensions are in millimeters. ( tolerance :  $\pm 0.2$  )
  2. Scale : none
  3. Slug of package is connected to anode.

\*The appearance and specifications of the product may be changed for improvement without notice.



**SEOUL SEMICONDUCTOR CO., LTD.**  
148-29, Kasan-Dong, Keumchun-Gu, Seoul, Korea  
TEL : 82-2-3281-6269 FAX : 82-2-857-5430  
Rev07 - 2006/05

# 1. Metal Outline Dimensions



<Rectangular type>

<Star type>

Note : 1. All dimensions are in millimeters ( tolerance :  $\pm 0.2$  )

2. Scale : none

\*The appearance and specifications of the product may be changed for improvement without notice.



# Pure white Power LED

## 2. Electro-Optical Characteristics (at $I_F=1.4A$ , $T_A=25^\circ C$ )

Parameter	Symbol	Value			Unit
		Min	Typ	Max	
Luminous Flux <sup>[1]</sup>	$\Phi_V$ <sup>[2]</sup>	154	178	-	lm
Correlated Color Temperature <sup>[3]</sup>	CCT	-	6500	-	K
CRI	$R_a$	-	70	-	-
Forward Voltage <sup>[4]</sup>	$V_F$	3.0	3.5	4.0	V
View Angle	$2\Theta$ 1/2	70			deg.
Thermal resistance <sup>[5]</sup>	$R\Theta_{J-B}$	4			$^\circ C/W$

## 3. Absolute Maximum Ratings (at $T_A=25^\circ C$ )

Parameter	Symbol	Value	Unit
Forward Current	$I_F$	1.6	A
Power Dissipation	$P_D$	6.4	W
Junction Temperature	$T_j$	125	$^\circ C$
Operating Temperature	$T_{opr}$	-30 ~ +85	$^\circ C$
Storage Temperature	$T_{stg}$	-40 ~ +120	$^\circ C$
ESD Sensitivity <sup>[6]</sup>	-	$\pm 20,000V$ HBM	-

\*Notes :

[1] SSC maintains a tolerance of  $\pm 10\%$  on flux and power measurements.

[2]  $\Phi_V$  is the total luminous flux output as measured with an integrated sphere.

[3] Correlated Color Temperature is derived from the CIE 1931 Chromaticity diagram.

CCT  $\pm 5\%$  tester tolerance

[4] A tolerance of  $\pm 0.06V$  on forward voltage measurements

[5]  $R\Theta_{J-B}$  is measured with a SSC metal core pcb. ( $25^\circ C \leq T_j \leq 110^\circ C$ )

Break voltage of Metal PCB is 6.5kVAC

[6] It is included the zener chip to protect the product from ESD.

-----Caution-----

1. Please do not drive at rated current more than 5 sec. without proper heat sink
2. The chromaticity coordinate of the LEDs can shift approximately  $x=0.02$ ,  $y=0.03$  in the direction of blue 1000 hours later



**SEOUL SEMICONDUCTOR CO., LTD.**

148-29, Kasan-Dong, Keumchun-Gu, Seoul, Korea

TEL : 82-2-3281-6269 FAX : 82-2-857-5430

Rev07 - 2006/05

# Warm white Power LED

## 2. Electro-Optical Characteristics (at $I_F=1.4A$ , $T_A=25^{\circ}C$ )

Parameter	Symbol	Value			Unit
		Min	Typ	Max	
Luminous Flux <sup>[1]</sup>	$\Phi_V$ <sup>[2]</sup>	91.0	120	-	lm
Correlated Color Temperature <sup>[3]</sup>	CCT	-	3000	-	K
CRI	$R_a$	-	80	-	-
Forward Voltage <sup>[4]</sup>	$V_F$	3.0	3.5	4.0	V
View Angle	$2\Theta$ 1/2	70			deg.
Thermal resistance <sup>[5]</sup>	$R_{\Theta_{J-B}}$	4			$^{\circ}C/W$

## 3. Absolute Maximum Ratings (at $T_A=25^{\circ}C$ )

Parameter	Symbol	Value	Unit
Forward Current	$I_F$	1.6	A
Power Dissipation	$P_D$	6.4	W
Junction Temperature	$T_J$	125	$^{\circ}C$
Operating Temperature	$T_{opr}$	-30 ~ +85	$^{\circ}C$
Storage Temperature	$T_{stg}$	-40 ~ +120	$^{\circ}C$
ESD Sensitivity <sup>[6]</sup>	-	$\pm 20,000V$ HBM	-

\*Notes :

[1] SSC maintains a tolerance of  $\pm 10\%$  on flux and power measurements.

[2]  $\Phi_V$  is the total luminous flux output as measured with an integrated sphere.

[3] Correlated Color Temperature is derived from the CIE 1931 Chromaticity diagram.

CCT  $\pm 5\%$  tester tolerance

[4] A tolerance of  $\pm 0.06V$  on forward voltage measurements

[5]  $R_{\Theta_{J-B}}$  is measured with a SSC metal core pcb. ( $25^{\circ}C \leq T_J \leq 110^{\circ}C$ )

Break voltage of Metal PCB is 6.5kVAC

[6] It is included the zener chip to protect the product from ESD.

-----Caution-----

1. Please do not drive at rated current more than 5 sec. without proper heat sink
2. The chromaticity coordinate of the LEDs can shift approximately  $x=0.02$ ,  $y=0.03$  in the direction of blue 1000 hours later



**SEOUL SEMICONDUCTOR CO., LTD.**

148-29, Kasan-Dong, Keumchun-Gu, Seoul, Korea

TEL : 82-2-3281-6269 FAX : 82-2-857-5430

Rev07 – 2006/05

# Blue Power LED

## 2. Electro-Optical Characteristics (at $I_F=1.4A$ , $T_A=25^\circ C$ )

Parameter	Symbol	Value			Unit
		Min	Typ	Max	
Luminous Flux [1]	$\Phi_V$ [2]	24.5	30	-	lm
Dominant Wavelength [3]	$\lambda_D$	455	460	475	nm
Forward Voltage [4]	$V_F$	3.0	3.5	4.0	V
View Angle	$2\Theta$ 1/2	40			deg.
Thermal Resistance [5]	$R\Theta_{J-B}$	4			$^\circ C/W$

## 3. Absolute Maximum Ratings (at $T_A=25^\circ C$ )

Parameter	Symbol	Value	Unit
Forward Current	$I_F$	1.6	A
Power Dissipation	$P_D$	6.4	W
Junction Temperature	$T_j$	125	$^\circ C$
Operating Temperature	$T_{opr}$	-30 ~ +85	$^\circ C$
Storage Temperature	$T_{stg}$	-40 ~ +120	$^\circ C$
ESD Sensitivity [6]	-	$\pm 20,000V$ HBM	-

\*Notes :

[1] SSC maintains a tolerance of  $\pm 10\%$  on flux and power measurements.

[2]  $\Phi_V$  is the total luminous flux output as measured with an integrated sphere.

[3] Dominant wavelength is derived from the CIE 1931 Chromaticity diagram.

A tolerance of  $\pm 0.5nm$  for dominant wavelength

[4] A tolerance of  $\pm 0.06V$  on forward voltage measurements

[5]  $R\Theta_{J-B}$  is measured with a SSC metal core pcb. ( $25^\circ C \leq T_j \leq 110^\circ C$ )

Break voltage of Metal PCB is 6.5kVAC

[6] It is included the zener chip to protect the product from ESD.

### -----Caution-----

**Please do not drive at rated current more than 5 sec. without proper heat sink**



**SEOUL SEMICONDUCTOR CO., LTD.**

148-29, Kasan-Dong, Keumchun-Gu, Seoul, Korea

TEL : 82-2-3281-6269 FAX : 82-2-857-5430

Rev07 – 2006/05

# Green Power LED

## 2. Electro-Optical Characteristics (at $I_F=1.4A$ , $T_A=25^\circ C$ )

Parameter	Symbol	Value			Unit
		Min	Typ	Max	
Luminous Flux <sup>[1]</sup>	$\Phi_V$ <sup>[2]</sup>	118.5	189	-	lm
Dominant Wavelength <sup>[3]</sup>	$\lambda_D$	520	527	535	nm
Forward Voltage <sup>[4]</sup>	$V_F$	3.0	3.5	4.0	V
View Angle	$2\Theta$ 1/2	40			deg.
Thermal Resistance <sup>[5]</sup>	$R\Theta_{J-B}$	4			$^\circ C/W$

## 3. Absolute Maximum Ratings (at $T_A=25^\circ C$ )

Parameter	Symbol	Value	Unit
Forward Current	$I_F$	1.6	A
Power Dissipation	$P_D$	6.4	W
Junction Temperature	$T_j$	125	$^\circ C$
Operating Temperature	$T_{opr}$	-30 ~ +85	$^\circ C$
Storage Temperature	$T_{stg}$	-40 ~ +120	$^\circ C$
ESD Sensitivity <sup>[6]</sup>	-	$\pm 20,000V$ HBM	-

\*Notes :

[1] SSC maintains a tolerance of  $\pm 10\%$  on flux and power measurements.

[2]  $\Phi_V$  is the total luminous flux output as measured with an integrated sphere.

[3] Dominant wavelength is derived from the CIE 1931 Chromaticity diagram.

A tolerance of  $\pm 0.5nm$  for dominant wavelength

[4] A tolerance of  $\pm 0.06V$  on forward voltage measurements

[5]  $R\Theta_{J-B}$  is measured with a SSC metal core pcb. ( $25^\circ C \leq T_j \leq 110^\circ C$ )

Break voltage of Metal PCB is 6.5kVAC

[6] It is included the zener chip to protect the product from ESD.

### -----Caution-----

**Please do not drive at rated current more than 5 sec. without proper heat sink**



**SEOUL SEMICONDUCTOR CO., LTD.**

148-29, Kasan-Dong, Keumchun-Gu, Seoul, Korea

TEL : 82-2-3281-6269 FAX : 82-2-857-5430

Rev07 – 2006/05

# Red Power LED

## 2. Electro-Optical Characteristics (at $I_F=1.4A$ , $T_A=25^\circ C$ )

Parameter	Symbol	Value			Unit
		Min	Typ	Max	
Luminous Flux <sup>[1]</sup>	$\Phi_V$ <sup>[2]</sup>	91.0	114	-	lm
Dominant Wavelength <sup>[3]</sup>	$\lambda_D$	618	625	632	nm
Forward Voltage <sup>[4]</sup>	$V_F$	2.0	2.5	3.0	V
View Angle	$2\Theta$ 1/2	40			deg.
Thermal Resistance <sup>[5]</sup>	$R\Theta_{J-B}$	6			$^\circ C/W$

## 3. Absolute Maximum Ratings (at $T_A=25^\circ C$ )

Parameter	Symbol	Value	Unit
Forward Current	$I_F$	1.6	A
Power Dissipation	$P_D$	4.8	W
Junction Temperature	$T_j$	100	$^\circ C$
Operating Temperature	$T_{opr}$	-30 ~ +85	$^\circ C$
Storage Temperature	$T_{stg}$	-40 ~ +120	$^\circ C$
ESD Sensitivity <sup>[6]</sup>	-	$\pm 20,000V$ HBM	-

\*Notes :

[1] SSC maintains a tolerance of  $\pm 10\%$  on flux and power measurements.

[2]  $\Phi_V$  is the total luminous flux output as measured with an integrated sphere.

[3] Dominant wavelength is derived from the CIE 1931 Chromaticity diagram.

A tolerance of  $\pm 0.5nm$  for dominant wavelength

[4] A tolerance of  $\pm 0.06V$  on forward voltage measurements

[5]  $R\Theta_{J-B}$  is measured with a SSC metal core pcb. ( $25^\circ C \leq T_j \leq 110^\circ C$ )

Break voltage of Metal PCB is 6.5kVAC

[6] It is included the zener chip to protect the product from ESD.

### -----Caution-----

**Please do not drive at rated current more than 5 sec. without proper heat sink**



**SEOUL SEMICONDUCTOR CO., LTD.**

148-29, Kasan-Dong, Keumchun-Gu, Seoul, Korea

TEL : 82-2-3281-6269 FAX : 82-2-857-5430

Rev07 - 2006/05

# Cyan Power LED

## 2. Electro-Optical Characteristics (at $I_F=1.4A$ , $T_A=25^\circ C$ )

Parameter	Symbol	Value			Unit
		Min	Typ	Max	
Luminous Flux <sup>[1]</sup>	$\Phi_V$ <sup>[2]</sup>	118.5	150	-	lm
Dominant Wavelength <sup>[3]</sup>	$\lambda_D$	500	505	510	nm
Forward Voltage <sup>[4]</sup>	$V_F$	3.0	3.5	4.0	V
View Angle	$2\Theta$ 1/2	40			deg.
Thermal Resistance <sup>[5]</sup>	$R\Theta_{J-B}$	4			$^\circ C/W$

## 3. Absolute Maximum Ratings (at $T_A=25^\circ C$ )

Parameter	Symbol	Value	Unit
Forward Current	$I_F$	1.6	A
Power Dissipation	$P_D$	6.4	W
Junction Temperature	$T_j$	125	$^\circ C$
Operating Temperature	$T_{opr}$	-30 ~ +85	$^\circ C$
Storage Temperature	$T_{stg}$	-40 ~ +120	$^\circ C$
ESD Sensitivity <sup>[6]</sup>	-	$\pm 20,000V$ HBM	-

\*Notes :

[1] SSC maintains a tolerance of  $\pm 10\%$  on flux and power measurements.

[2]  $\Phi_V$  is the total luminous flux output as measured with an integrated sphere.

[3] Dominant wavelength is derived from the CIE 1931 Chromaticity diagram.

A tolerance of  $\pm 0.5nm$  for dominant wavelength

[4] A tolerance of  $\pm 0.06V$  on forward voltage measurements

[5]  $R\Theta_{J-B}$  is measured with a SSC metal core pcb. ( $25^\circ C \leq T_j \leq 110^\circ C$ )

Break voltage of Metal PCB is 6.5kVAC

[6] It is included the zener chip to protect the product from ESD.

### -----Caution-----

**Please do not drive at rated current more than 5 sec. without proper heat sink**



**SEOUL SEMICONDUCTOR CO., LTD.**

148-29, Kasan-Dong, Keumchun-Gu, Seoul, Korea

TEL : 82-2-3281-6269 FAX : 82-2-857-5430

Rev07 – 2006/05

# Amber Power LED

## 2. Electro-Optical Characteristics (at $I_F=1.4A$ , $T_A=25^{\circ}C$ )

Parameter	Symbol	Value			Unit
		Min	Typ	Max	
Luminous Flux <sup>[1]</sup>	$\Phi_V$ <sup>[2]</sup>	118.5	144	-	lm
Dominant Wavelength <sup>[3]</sup>	$\lambda_D$	585	590	595	nm
Forward Voltage <sup>[4]</sup>	$V_F$	2.0	2.5	3.0	V
View Angle	$2\Theta$ 1/2	40			deg.
Thermal Resistance <sup>[5]</sup>	$R\Theta_{J-B}$	6			$^{\circ}C/W$

## 3. Absolute Maximum Ratings (at $T_A=25^{\circ}C$ )

Parameter	Symbol	Value	Unit
Forward Current	$I_F$	1.6	A
Power Dissipation	$P_D$	4.8	W
Junction Temperature	$T_J$	100	$^{\circ}C$
Operating Temperature	$T_{opr}$	-30 ~ +85	$^{\circ}C$
Storage Temperature	$T_{stg}$	-40 ~ +120	$^{\circ}C$
ESD Sensitivity <sup>[6]</sup>	-	$\pm 20,000V$ HBM	-

\*Notes :

[1] SSC maintains a tolerance of  $\pm 10\%$  on flux and power measurements.

[2]  $\Phi_V$  is the total luminous flux output as measured with an integrated sphere.

[3] Dominant wavelength is derived from the CIE 1931 Chromaticity diagram.

A tolerance of  $\pm 0.5nm$  for dominant wavelength

[4] A tolerance of  $\pm 0.06V$  on forward voltage measurements

[5]  $R\Theta_{J-B}$  is measured with a SSC metal core pcb. ( $25^{\circ}C \leq T_J \leq 110^{\circ}C$ )

Break voltage of Metal PCB is 6.5kVAC

[6] It is included the zener chip to protect the product from ESD.

### -----Caution-----

**Please do not drive at rated current more than 5 sec. without proper heat sink**



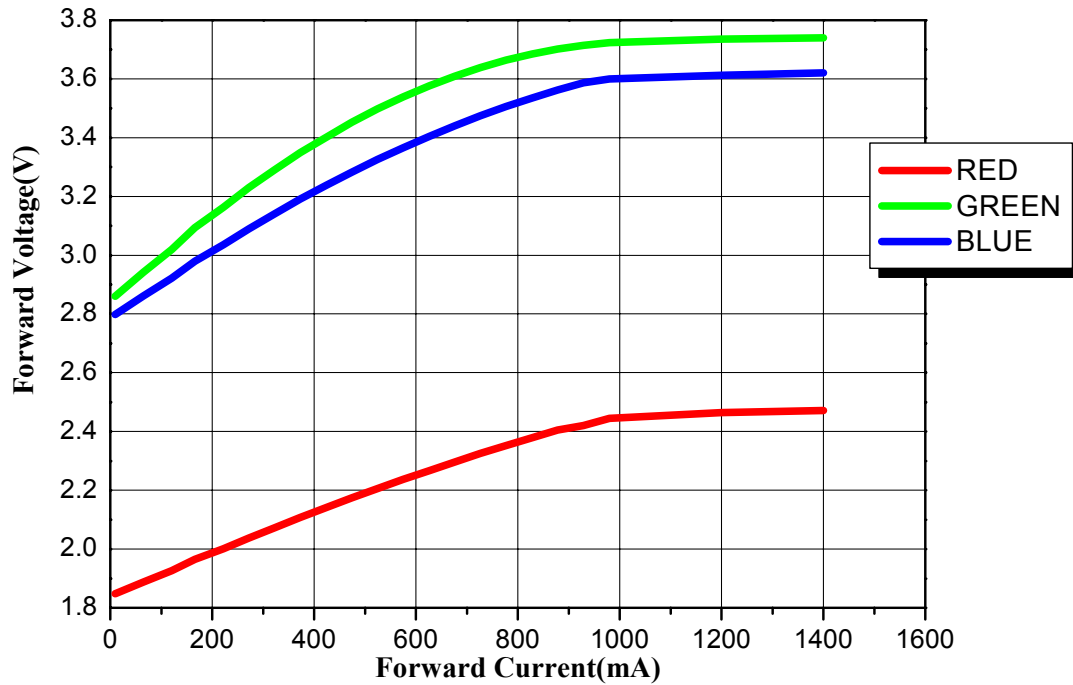
**SEOUL SEMICONDUCTOR CO., LTD.**

148-29, Kasan-Dong, Keumchun-Gu, Seoul, Korea

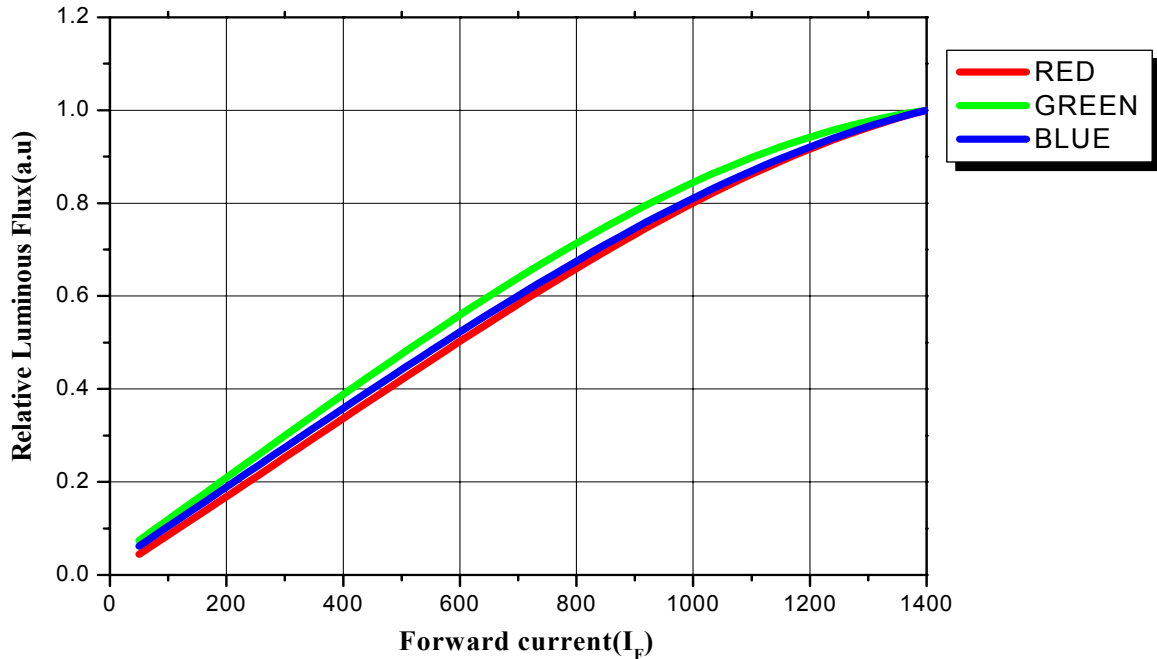
TEL : 82-2-3281-6269 FAX : 82-2-857-5430

Rev07 – 2006/05

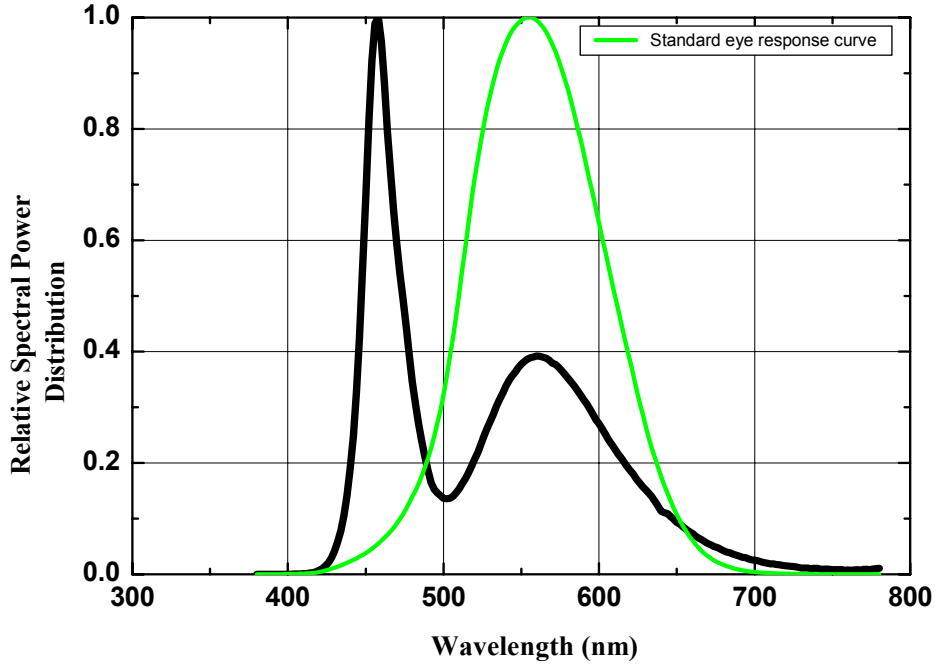
#### 4. Forward Voltage vs. Forward Current (Ta=25°C)



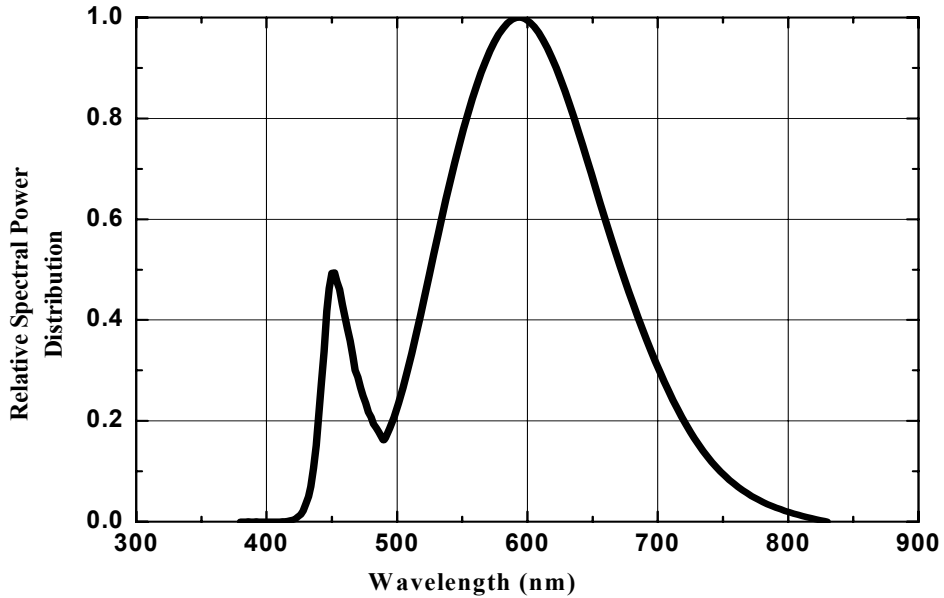
#### 5. Forward Current vs. Normalized Relative Luminous Flux (Ta=25°C)



## 6. White Color spectrum of Typical CCT (Ta=25°C)



## 7. Warm White spectrum of Typical CCT (Ta=25°C)



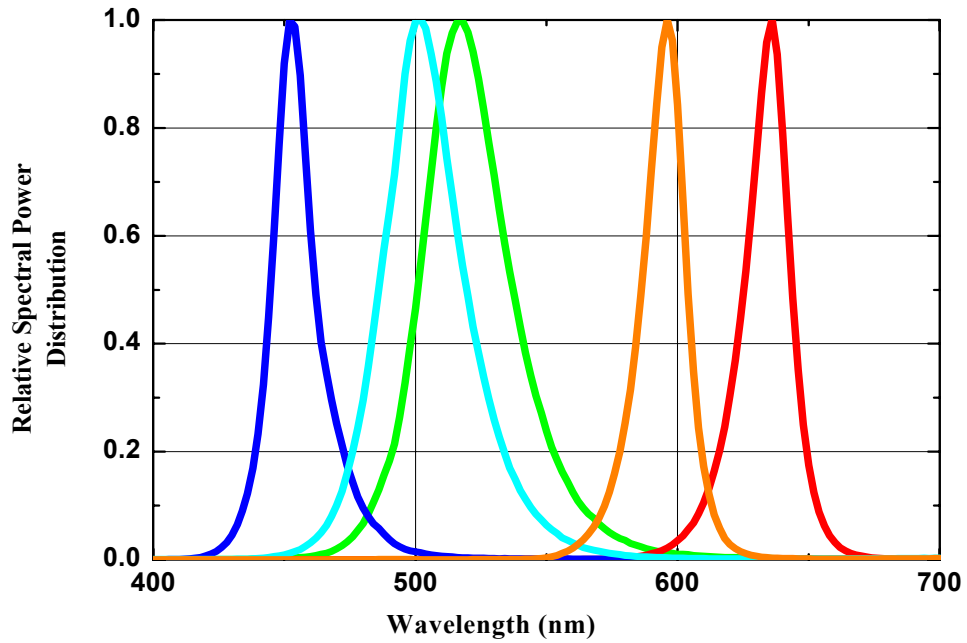
**SEOUL SEMICONDUCTOR CO., LTD.**

148-29, Kasan-Dong, Keumchun-Gu, Seoul, Korea

TEL : 82-2-3281-6269 FAX : 82-2-857-5430

Rev07 – 2006/05

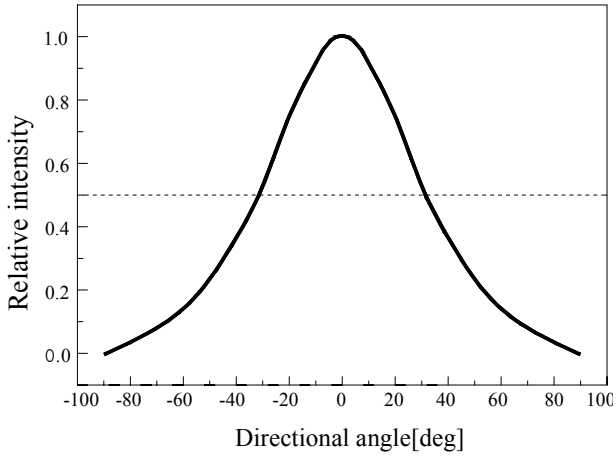
## 8. Spectrum for Red, Green, Blue, Amber, Cyan (Ta=25°C)



## 9. Radiation pattern

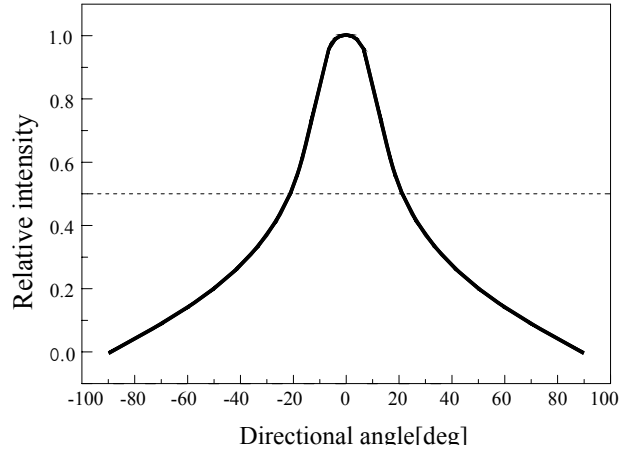
White

With lens 70°



Blue, Green, Red, Cyan, Amber

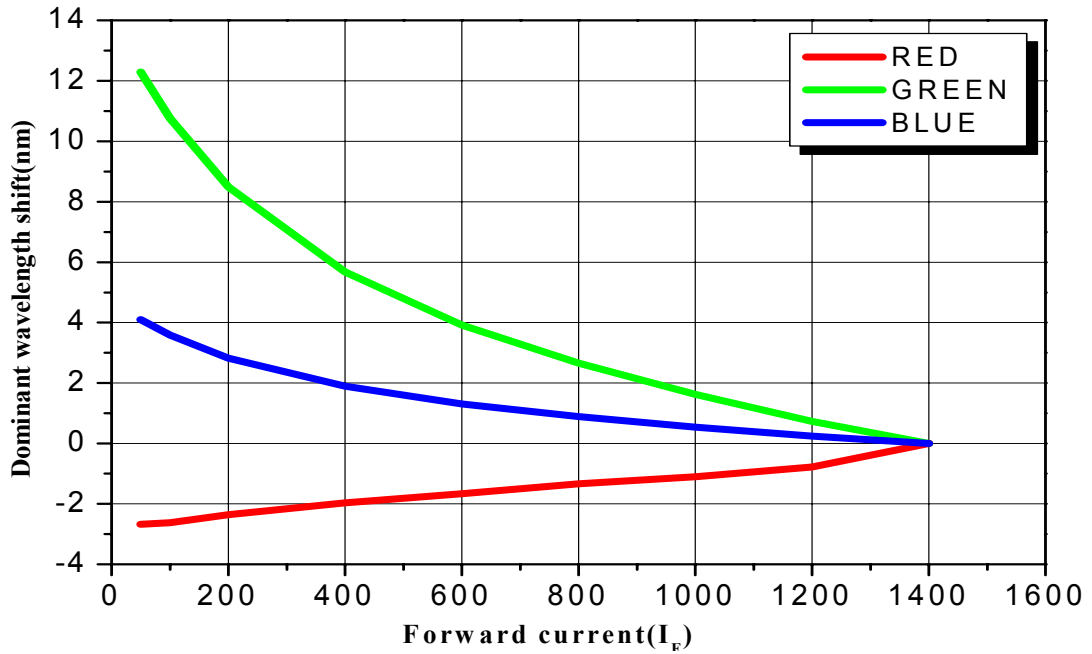
With lens 40°



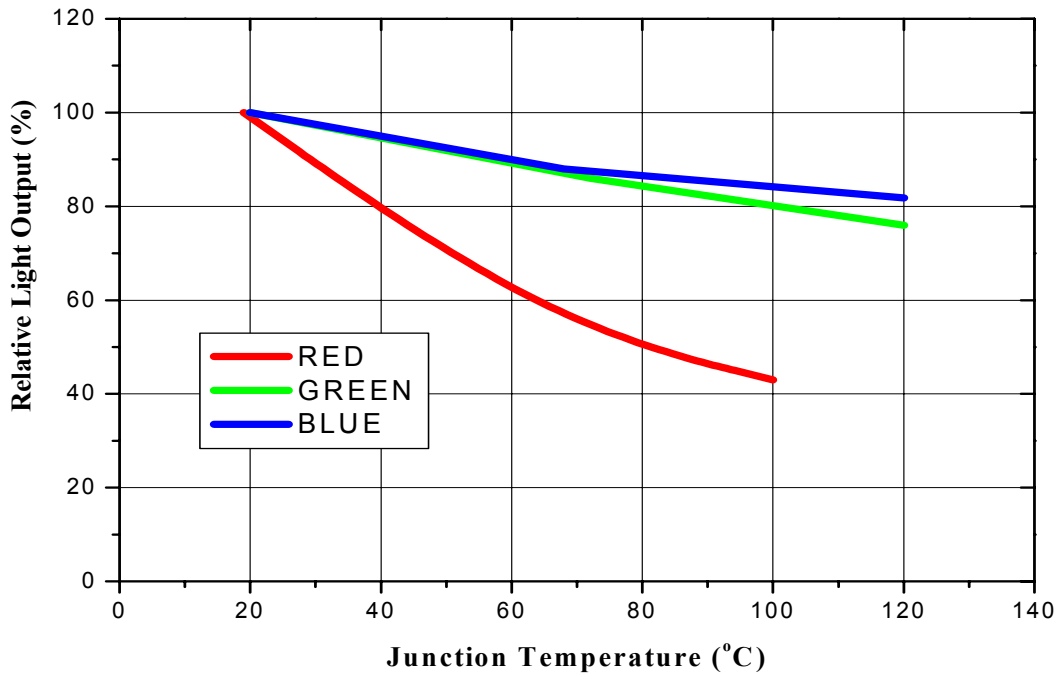
**SEOUL SEMICONDUCTOR CO., LTD.**  
148-29, Kasan-Dong, Keumchun-Gu, Seoul, Korea  
TEL : 82-2-3281-6269 FAX : 82-2-857-5430

Rev07 – 2006/05

### 10. Forward Current Vs Wavelength shift (Ta=25°C)



### 11. Temperature of Junction vs. Relative Light Output for Blue, Green, Red (Ta=25°C)



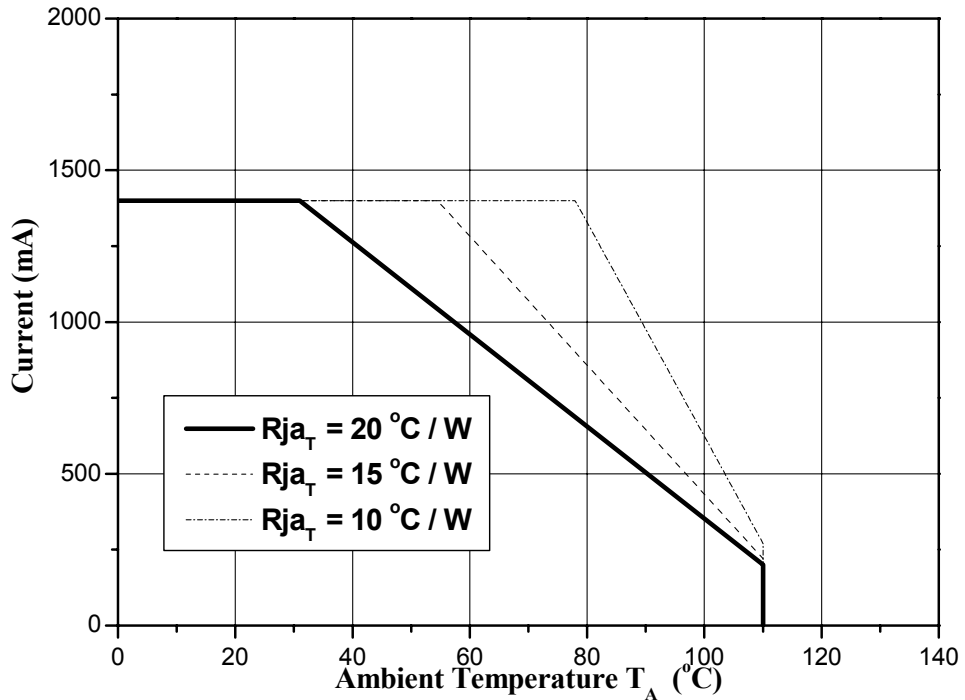
**SEOUL SEMICONDUCTOR CO., LTD.**

148-29, Kasan-Dong, Keumchun-Gu, Seoul, Korea

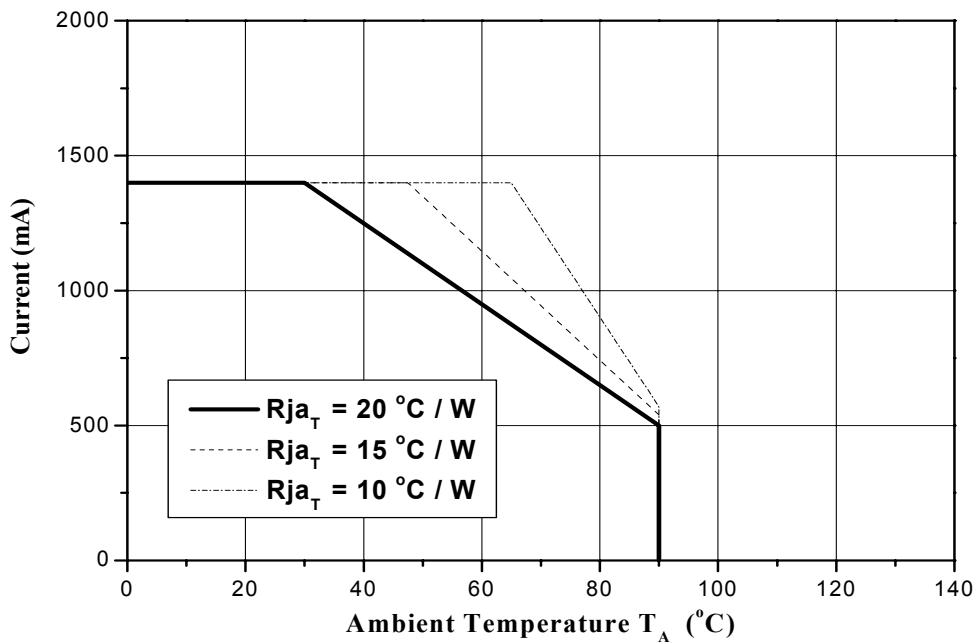
TEL : 82-2-3281-6269 FAX : 82-2-857-5430

Rev07 - 2006/05

## 12. Ambient Temperature vs Allowable Forward Current for 4 chip White, Blue, Green, Cyan



## 13. Ambient Temperature vs Allowable Forward Current for 4chip Red, Amber



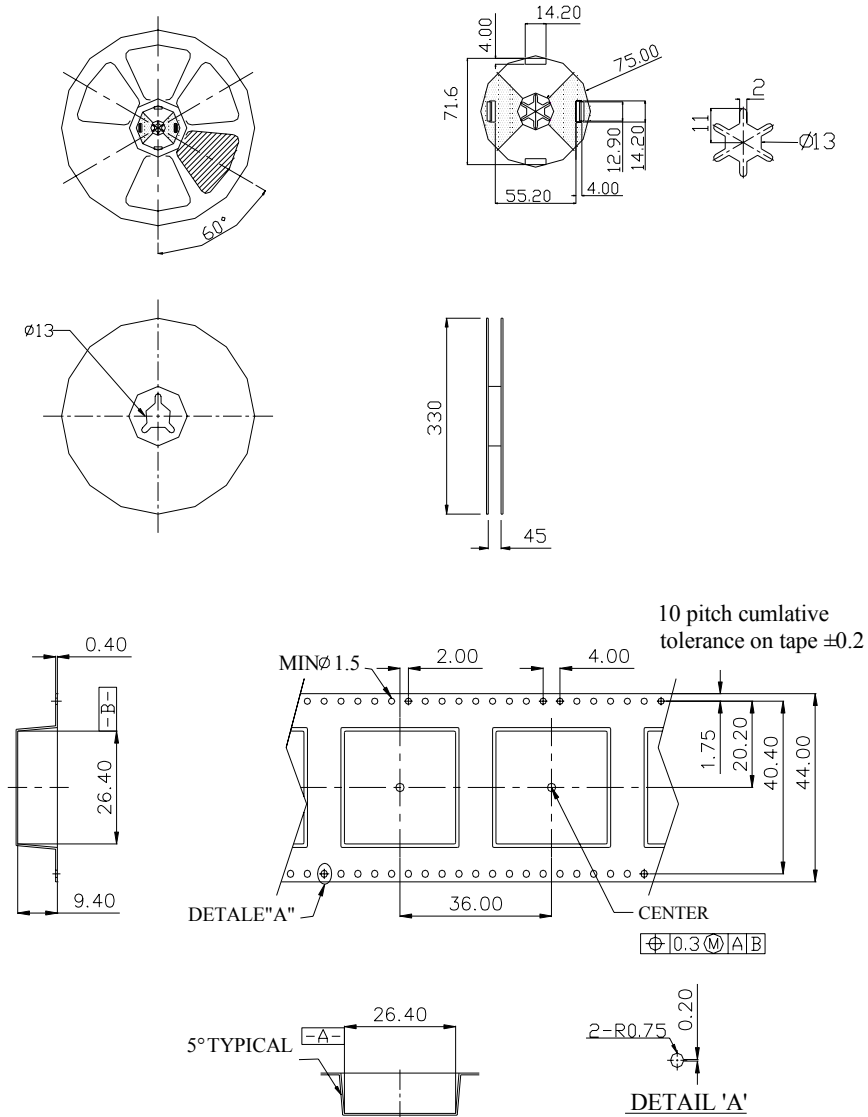
**SEOUL SEMICONDUCTOR CO., LTD.**

148-29, Kasan-Dong, Keumchun-Gu, Seoul, Korea

TEL : 82-2-3281-6269 FAX : 82-2-857-5430

Rev07 – 2006/05

## 14. Reel Packaging Dimensions (Rectangular type)



Note : 1. pocket numbers are 100ea

2. All dimensions are in millimeters ( tolerance :  $\pm 0.2$  )

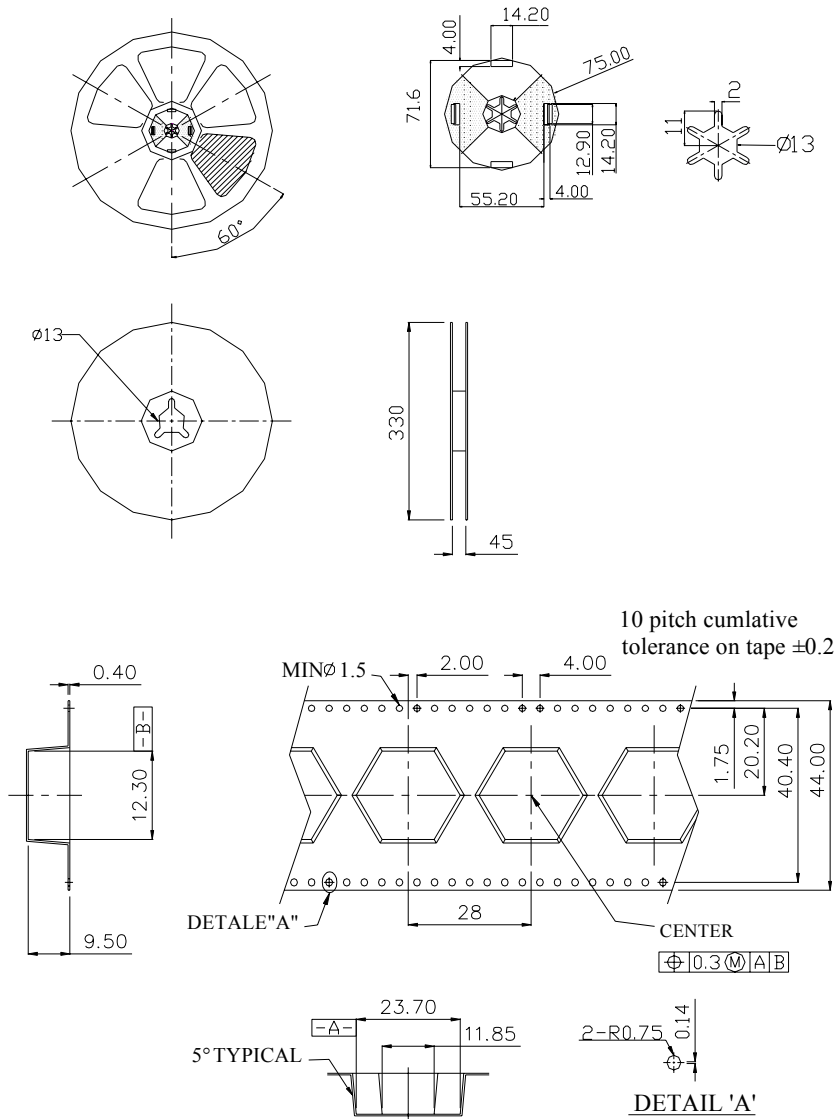
3. Scale is none

\*The appearance and specifications of the product may be changed for improvement without notice.



**SEOUL SEMICONDUCTOR CO., LTD.**  
 148-29, Kasan-Dong, Keumchun-Gu, Seoul, Korea  
 TEL : 82-2-3281-6269 FAX : 82-2-857-5430  
 Rev07 - 2006/05

## 15. Reel Packaging Dimensions(Star type)



Note : 1. pocket numbers are 100ea

2. All dimensions are in millimeters ( tolerance :  $\pm 0.2$  )

3. Scale : none

\*The appearance and specifications of the product may be changed for improvement without notice.



**SEOUL SEMICONDUCTOR CO., LTD.**

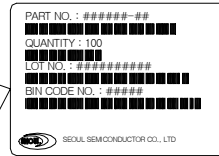
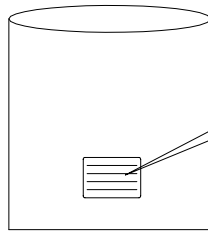
148-29, Kasan-Dong, Keumchun-Gu, Seoul, Korea

TEL : 82-2-3281-6269 FAX : 82-2-857-5430

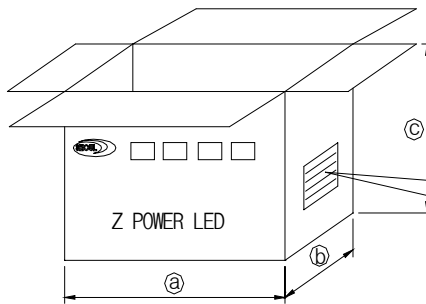
Rev07 - 2006/05

## 16. Packaging structure

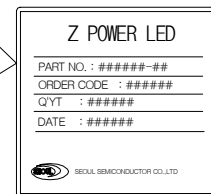
### Aluminum Vinyl Bag



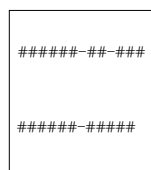
### Outer Box



TYPE	SIZE(mm)		
	a	b	c
	340	350	200



### Printed label on back of aluminum PCB



Part No. - Internal No. - Bin Code

Lot No.

Note : 1. 3 reels are loaded in box

2. Scale none

3. For more information about binning and labeling, refer to the Application Note - 1



**SEOUL SEMICONDUCTOR CO., LTD.**  
 148-29, Kasan-Dong, Keumchun-Gu, Seoul, Korea  
 TEL : 82-2-3281-6269 FAX : 82-2-857-5430  
 Rev07 - 2006/05

## 17. Precaution for use

### (1) Storage

Avoid the absorption of moisture, we recommended to store Z Power LEDs in a dry box (or desiccator) with a desiccant . Otherwise, store them in the following environment:

Temperature : 5℃~30℃ Humidity : 50% max.

### (2) Precaution after opening packaging

However LED is correspond SMD, when LED be soldered dip, interfacial separation may affect the light transmission efficiency, causing the light intensity to drop.

Attention in followed.

a. Soldering should be done right after opening the package (within 24Hrs).

b. Keeping of a fraction

- Sealing

- Temperature : 5 ~ 40℃ Humidity : less than 30%

c. If the package has been opened more than 1week or the color of desiccant changes, components should be dried for 10-12hr at 60±5℃.

(3) Any mechanical force or any excess vibration shall not be applied to apply during cooling process to normal temp after soldering.

(4) Avoid quick cooling

(5) Components should not be mounted on warped direction of PCB.

(6) Anti radioactive ray design is not considered for the products listed here in.

(7) Gallium arsenide is used in some of the products listed in this publication. These products are dangerous if they are burned or smashed in the process of disposal. It is also dangerous to drink the liquid or inhale the gas generated by such products when chemically disposed.

(8) This device should not be used in any type of fluid such as water, oil, organic solvent and etc. When washing is required, IPA (Isopropyl Alcohol) should be used.

(9) When the LEDs are illuminating, operating current should be decided after considering the package maximum temperature.

(10) LEDs must be stored to maintain a clean atmosphere. If the LEDs are stored for 3 months or more after being shipped from SSC, a sealed container with a nitrogen atmosphere should be used for storage.

(11) The appearance and specifications of the product may be modified for improvement without notice.

(12) The package with lens can NOT be solder reflowed. It will damage the lens.

(13) Long time exposure of sunlight or occasional UV exposure will cause lens discoloration.

(14) Slug polarity is anode.



**SEOUL SEMICONDUCTOR CO., LTD.**

148-29, Kasan-Dong, Keumchun-Gu, Seoul, Korea

TEL : 82-2-3281-6269 FAX : 82-2-857-5430

Rev07 – 2006/05

## 18. Handling of silicone resin LEDs

**Z-Power LED is encapsulated by silicone resin for the highest flux efficiency.**

**Notes for handling of Silicone resin Z-Power LEDs**

- 1) Avoid touching silicone resin parts especially by sharp tools such as Pincette(Tweezers)**
- 2) Avoid leaving fingerprints on silicone resin parts.**
- 3) Dust sensitivity silicone resin need containers having cover for storage.**
- 4) When populating boards in SMT production, there are basically no restrictions regarding the form of the pick and place nozzle, except that mechanical pressure on the surface of the resin must be prevent.**
- 5) Please do not force over 3000 gf impact or pressure diagonally on the silicon lens.  
It will cause fatal damage of this product**
- 6) Please do not recommend to cover the silicone resin of the LEDs with other resin (epoxy, urethane, etc)**



**SEOUL SEMICONDUCTOR CO., LTD.**

148-29, Kasan-Dong, Keumchun-Gu, Seoul, Korea

TEL : 82-2-3281-6269 FAX : 82-2-857-5430

Rev07 – 2006/05